

# RACKS & SHELVINGS

INTRALOGISTICS AND SUPPLY CHAIN



**PINTO BRASIL**



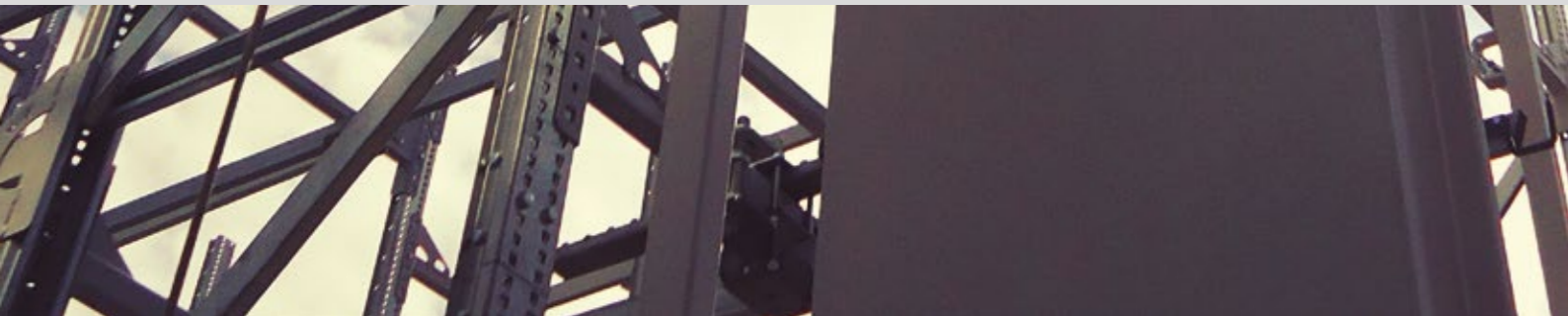
# CONTENTS

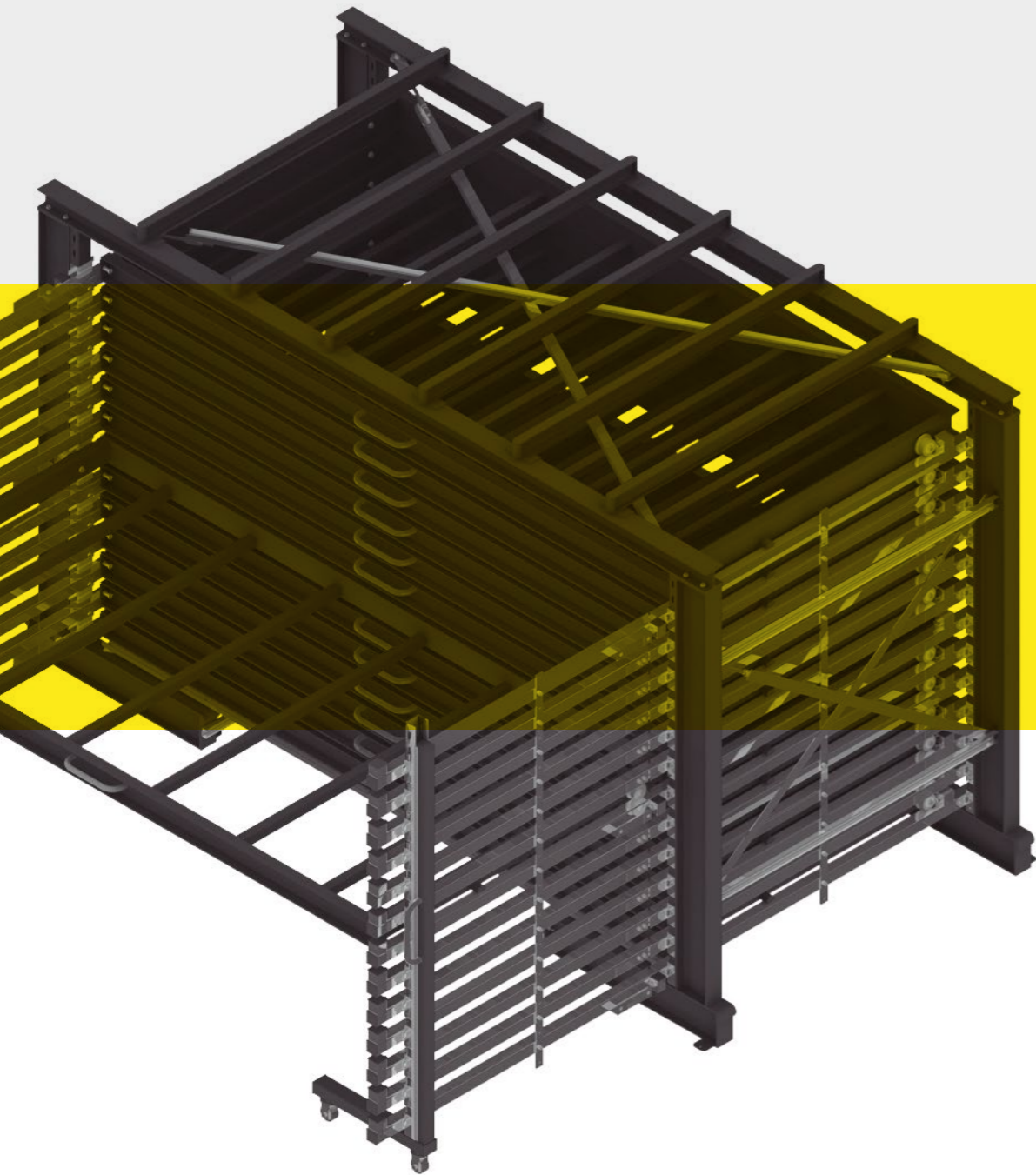
- Shelvings** ..... 5
- Plate Supply Shelf ..... 6
- Speedlock ..... 10
- Speedlock Light ..... 12
- Dynamic Box Shelf ..... 14
- Mini-Transtocker ..... 16
- Racks** ..... 18
- Dynamic Pallet Rack ..... 20
- Supply Rack ..... 22
- Box Rack ..... 23

Pinto Brasil's **Racks & Shelvings** are developed by our engineering teams who create prototypes for all types of structures according with our client's needs and specifications.

Our teams are highly specialized and have a wide knowledge regarding how to approach and search for solutions, which allows us to better adapt to different concepts and demands of a project, and to respond to all requests.

We observe all safety procedures and use duly approved and certified materials, therefore ensuring the quality of our equipment and our client's full satisfaction.



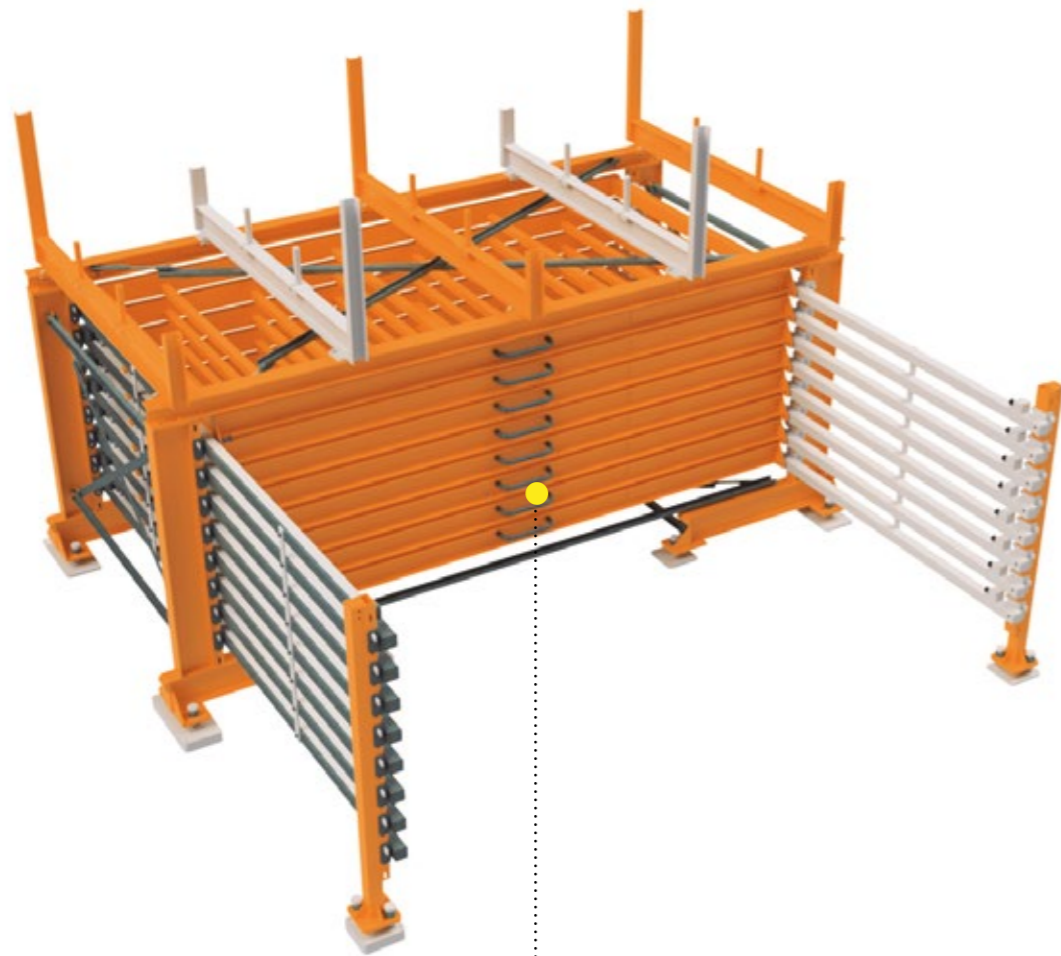


**SHELVINGS**

## PLATE SUPPLY SHELF

The **plate supply shelf** is a metallic structure to drawers, allowing the storage of plate batches in each drawer. This structure aims at a better plate storage, allowing to reduce the occupied area and specific allocation for each plate type.

Its higher structure enables the storage of other materials like iron bars and pipes, this way allowing the occupation of vertical space in the same area.



## PLATE SUPPLY SHELF



### GENERAL DIMENSIONS

Please refer to manufacturer for other configurations, dimensions and component quantities.



### RACKS

Wooden or plate racks.



### REDUCED APPLICATION AREA

Vertical storage allows decreased space occupation.



### HIGH STORAGE CAPACITY

Vertical storage in layered racks in a small area.



### SHELF SPACING

Standard: 75 mm  
(Can be made with other dimensions)



### ERGONOMICS

Allows smooth material handling.



### REDUCE ERRORS AND MISTAKES

Segregation and allocation of materials per reference.

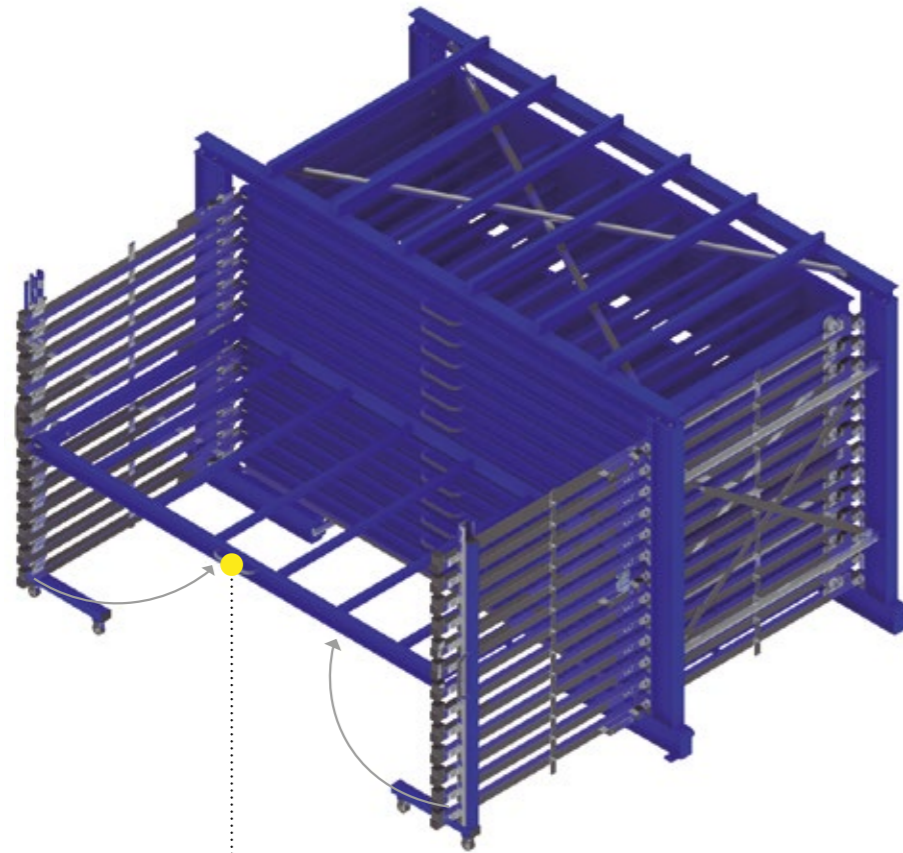


## PLATE SUPPLY SHELF

This **plate supply shelf** is a metallic structure with drawers, allowing the storage of **plate** batches in each drawer. This structure aims at a better plate storage, allowing to reduce the occupied area and specific allocation for each plate type.

The lock of the drawer supporting structure allows it to occupy a small area when it is not being used, as opposed to the previous shelf.

**Vacuum** plate handling systems are usually used with this structure.



### GENERAL DIMENSIONS

Please refer to manufacturer for other configurations, dimensions and component quantities.



### RACKS

Wooden or plate racks.



### REDUCED APPLICATION AREA

Vertical storage allows decreased space occupation.



### HIGH STORAGE CAPACITY

Vertical storage in layered racks in a small area.



### SHELF SPACING

Standard: 75 mm  
(Can be made with other dimensions)



### ERGONOMICS

Allows smooth material handling.



### REDUCE ERRORS AND MISTAKES

Segregation and allocation of materials per reference.



## SPEEDLOCK

The **Speedlock** is a shelf tailored according to client's specifications. These shelves are a highly reliable and high storage industrial solution. Its adaptability allows the selection of several kinds of pallets and products, and the effective allocation of materials. Its several load capacities and dimensions enable the creation of custom made solutions.



## SPEEDLOCK



### Application Typology

#### GENERAL DIMENSIONS

Please refer to manufacturer for other configurations, dimensions and component quantities.



#### RACKS

Wooden or plate racks.



#### RACK SPACING

According to client specifications.

#### REDUCED APPLICATION AREA

Vertical storage allows decreased space occupation.



#### ERGONOMICS

Allows smooth material handling.

#### HIGH STORAGE CAPACITY

Vertical storage in layered racks in a small area.



#### REDUCE ERRORS AND MISTAKES

Segregation and allocation of materials per reference.

#### Traditional Shelves:

- The most universal system in terms of direct and individual access to each pallet. The ideal solution to warehouses with a great variety of products stored in pallets.
- Shelf distribution and height are determined depending on forklift, storage elements, and site dimension features.

#### Advantages:

- Excellent stock control where each area corresponds to a pallet.
- Adaptable to any storable cargo dimension, weight or size.
- Adaptable with manual picking shelves.
- Double depth shelves can be added to store a higher number of pallets, by allowing to store one pallet front of another on each side of the aisle.

## SPEEDLOCK LIGHT

The **Speedlock Light** is a shelf tailored according to client's needs. These shelves are a highly reliable and high storage industrial solution. Its adaptability allows the selection of several kinds of pallets and products, and the effective allocation of materials. Its several load capacities and dimensions enable the creation of custom made solutions.



### GENERAL DIMENSIONS

According to client specifications.



### SHELF SPACING

According to client specifications.



### RACKS

Wooden and plate racks.



### ERGONOMICS

Allows smooth material handling.

### REDUCED APPLICATION AREA

Vertical storage allows decreased space occupation.



### REDUCED ERRORS AND MISTAKES

Segregation and allocation of materials per reference.

### HIGH STORAGE CAPACITY

Vertical storage in layered racks in a small area.



### PROTECTION

Anti-static paint.  
(More paint solutions available).

## SPEEDLOCK LIGHT



## DYNAMIC BOX SHELF

**Dynamic box shelf** designed for the storage and stock of several products using an inclined rail and roller system, allowing easy access to all components and therefore ensuring the **FIFO (First In, First Out)** system.

Elaborated according to client's needs, these shelves allow the storage of a wide variety of standard boxes or product packages, and can be subsequently adjusted for other uses.

These shelves can be made in the standard format or with insulating components and specific boxes, allowing a high-quality storage with ESD protection.

We create solutions for your needs.



## DYNAMIC BOX SHELF



### GENERAL DIMENSIONS

According to client specifications.



### SHELF SPACING

According to client specifications.



### RAILS WITH WHEELS

Metallic rails with plastic wheels for box sliding.



### ERGONOMICS

Allows smooth material handling.



### REDUCED APPLICATION AREA

Metallic rails with plastic wheels for box sliding.



### REDUCED ERRORS AND MISTAKES

Segregation and allocation of materials per reference.



### HIGH STORAGE CAPACITY

Vertical storage in layered racks in a small area.



### PROTECTION

Anti-static paint.  
(More paint solutions available).





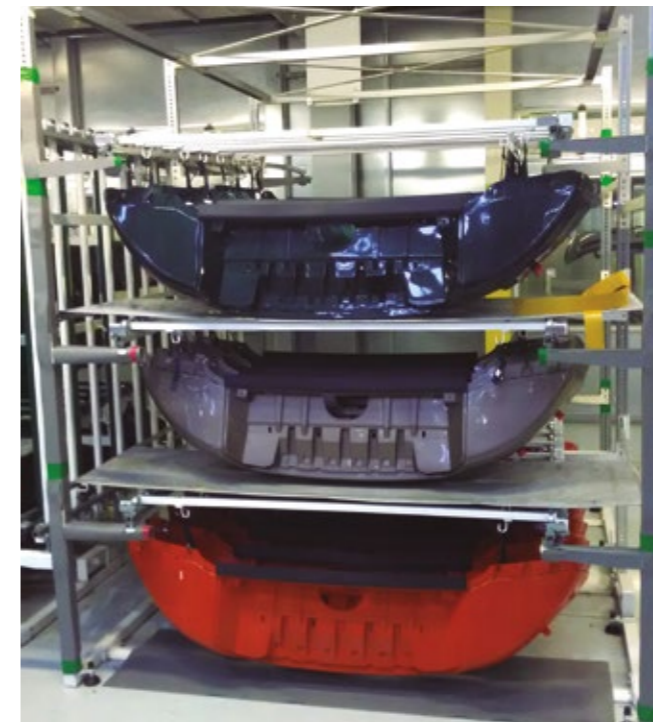
## MINI-TRANSTOCKER

The dynamic component storage **Mini-Transtocker** system is based on the FIFO philosophy. With an excellent use of height, it reduces elevated area occupation-related costs. Elevators are activated manually after loading/unloading level selection.

In addition to allowing the use of space by means of segregation and sequential order of batches for entry into production, this system can be used with the Transtocker.



## MINI-TRANSTOCKER



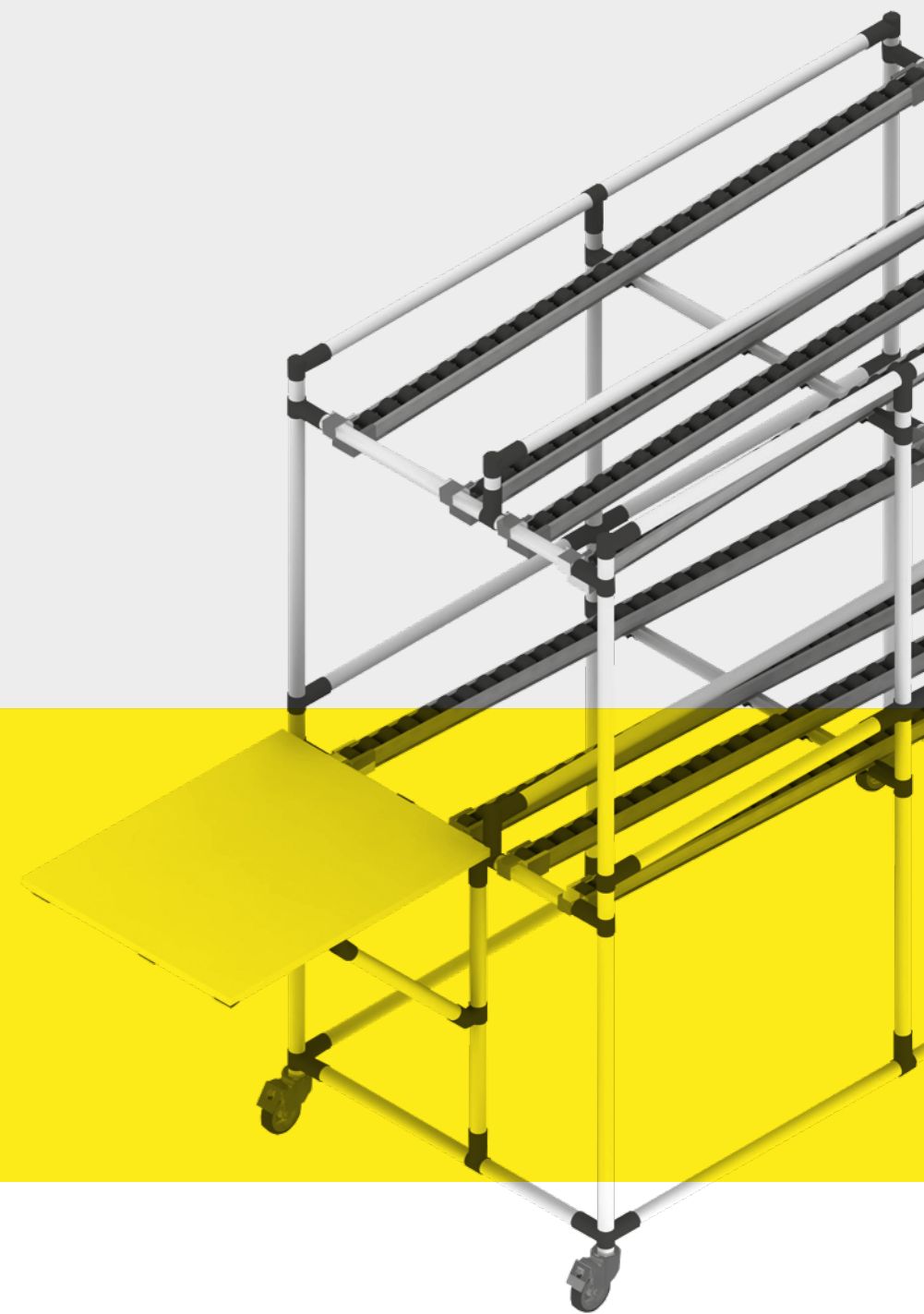
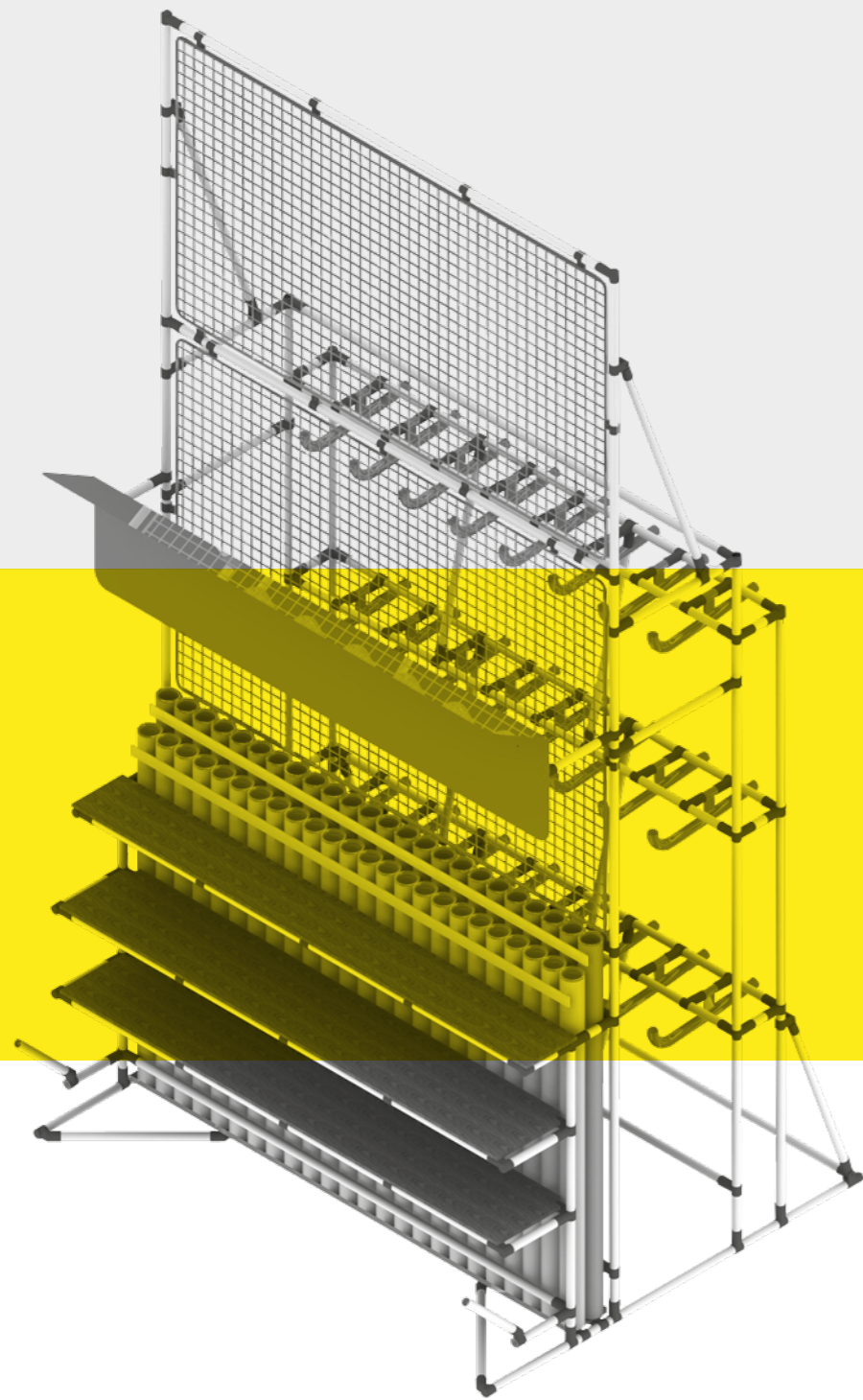
### GENERAL DIMENSIONS

Please refer to manufacturer for different configurations, dimensions and component quantities.



### EMERGENCY SYSTEM

EC DIRECTIVES.  
Throughout the entire line.



# RACKS

## DYNAMIC PALLET RACK

The **dynamic pallet rack** is a self-levelling structure with a void container disposal system for component storage on pallets. This equipment has a dynamic tray for empty boxes, or boxes on hold in the higher structure.



### GENERAL DIMENSIONS

According to client specifications.



### PAINT

Structure painted with epoxy paint as per client specifications.



### SPECIFIC COMPONENTS

Please refer to manufacturer for different configurations, dimensions and component quantities.



### RAIL WITH ROLLERS

Metallic Rollers **D.60mm** (other dimensions).  
Metallic rails with rollers.



### WELDED BUILD

Steel pipe welding.



### ADJUSTMENT BASES

Leg adjusters in order to ensure flawless ground fitting.

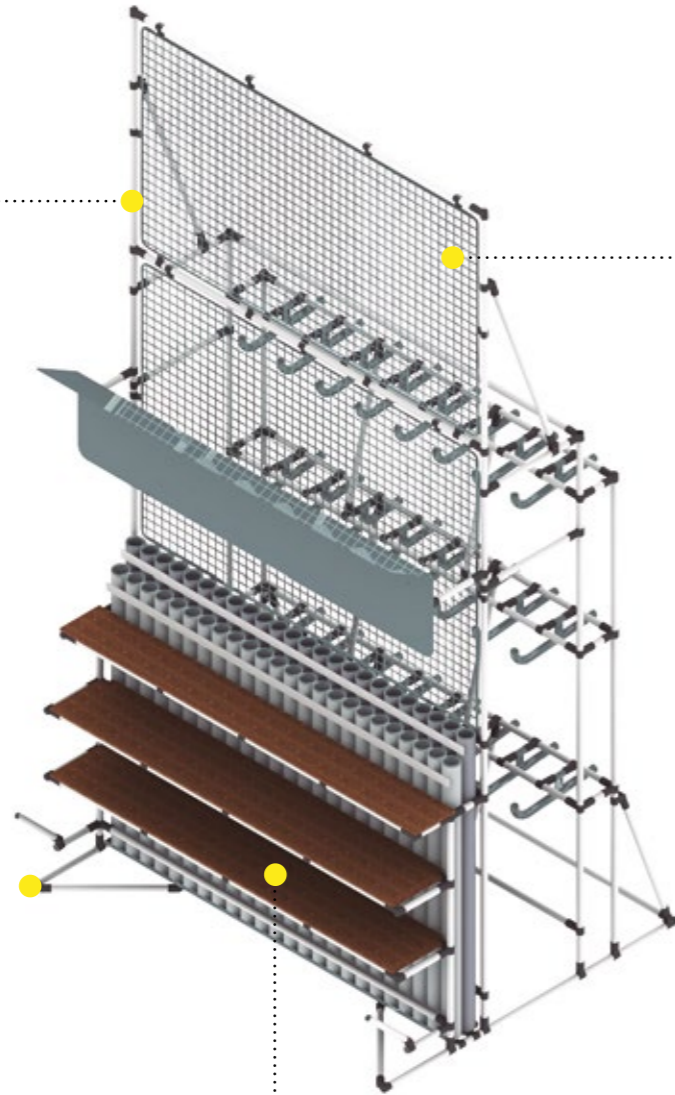


### Advantages:

- Flawless pallet rotation (**FIFO system - First In, First Out**).
- Saving time and space in pallet handling.
- Elimination of interferences in order preparation.
- Outstanding stock control.

## SUPPLY RACK

The **supply rack** aims at supplying circuit working areas and assembly components. Components are laid out in shelves, with frontal supply and posterior region loading.



**GENERAL DIMENSIONS**  
According with to specifications.



**SPECIFIC COMPONENTS**  
Please refer to manufacturer for different configurations, dimensions and component quantities.



**RACKS AND SUPPLY**  
Wooden racks and pagoda-type supply in zinc-coated iron pipe.

**BUILD**

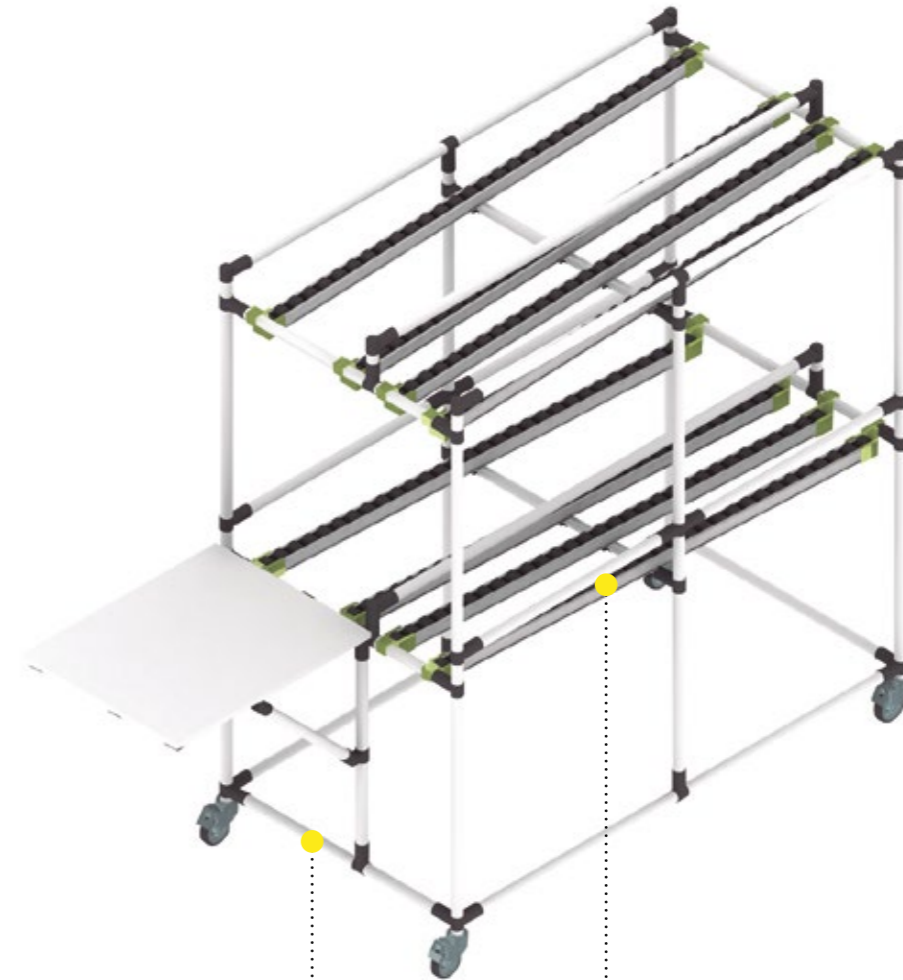
Tubular profiles and fixation accessories as per the Lean modular philosophy (for more information, please refer to the PIBRA® catalogue).



**PROTECTION**  
Metallic grid.

## BOX RACK

The **box rack** is a structure to supply working areas with components that come in boxes, based on the **FIFO (First In, First Out)** methodology and correspondent return of empty boxes. There is also a tray to execute small preparations or assembly operations.



**GENERAL DIMENSIONS**  
According to client specifications.



**RAIL WITH WHEELS**  
Rail with plastic wheels for box sliding.

**BUILD**

Tubular profiles and fixation accessories as per the Lean modular philosophy (for more information, please refer to the PIBRA® catalogue).



**BOX TYPE**  
DIMENSIONS **0.6 x 0.4 x 0.3 m** (please refer to manufacturer for other dimensions and/or quantities).

# DISCOVER OUR SOLUTIONS



**Automated Guided Vehicles**



**Assembly Lines**



**Storage and Conveyors Systems**



**Pibra Easyform**



**Racks & Shelving**



**Pick to Light**



**Returnable Packagin & Wip**



**Outsourcing**



**Download Catalogues**

[pintobrasil.com/catalogues](http://pintobrasil.com/catalogues)

**PINTO BRASIL**



Rua de Pardelhas, nº 87, 4765-420 - Guardizela,  
Guimarães - Portugal | GPS 41.393133, -8.35799



(+351) 253 479 240



info@pintobrasil.pt



www.pintobrasil.com

